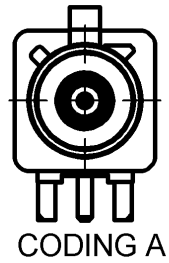
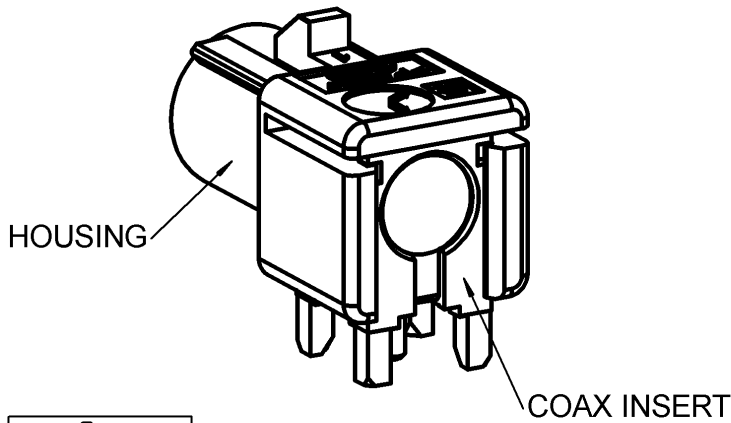
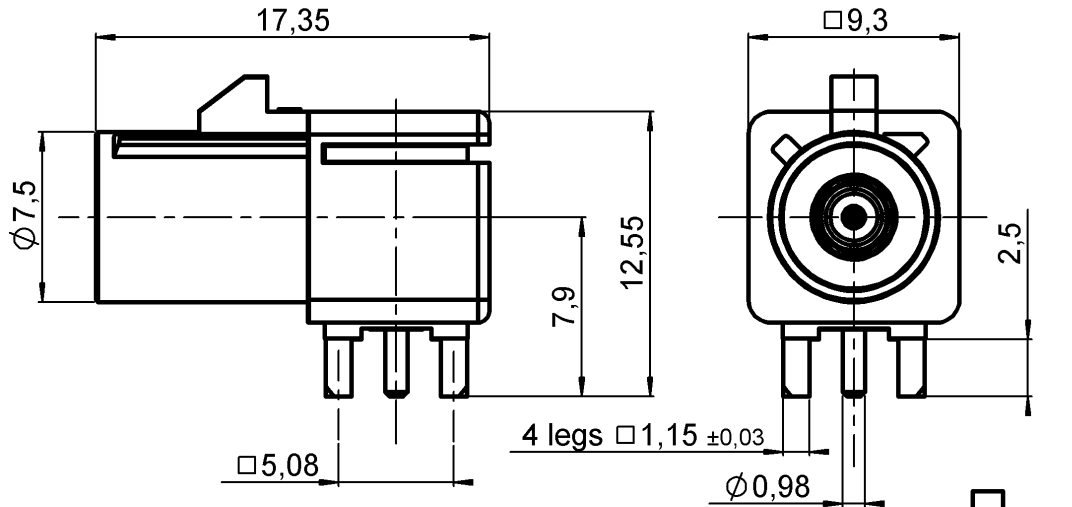


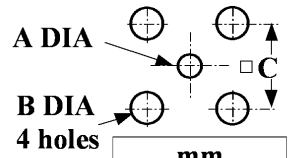
**R/A RECEPTACLE MALE**  
**PRINTED CIRCUIT**

**R197.160.A21**

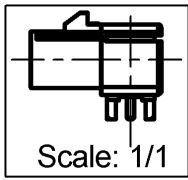
Series : **SMB**  
**CARLOCK**



**PANEL CUT OUT**



	mm	
	Maxi	mini
A	1.4	1.3
B	1.8	1.7
C	5.16	5



All dimensions are in mm.

COMPONENTS	MATERIALS	PLATINGS	( $\mu$ m)
BODY	BRASS	TIN 3 OVER NICKEL 2	
CENTER CONTACT	BRASS	GOLD 0.5 OVER NICKEL 2	
OUTER CONTACT	-	-	
INSULATOR	PTFE		
GASKET	-		
OTHERS PARTS	BRASS	NICKEL 2	
HOUSING	PA6.6 30% GF (POLYAMIDE)	UL CLASSIFICATION : UL 94 V-2	
		COLOR : BLACK RAL 9005	

**Issue : 0617 B**  
In the effort to improve our products, we reserve the right to make changes judged to be necessary.



**R/A RECEPTACLE MALE**

**R197.160.A21**

**PRINTED CIRCUIT**

Series : **SMB**  
**CARLOCK**

**PACKAGING**

**SPECIFICATION**

Standard	Unit	Other
<b>100</b>	<b>'W' option</b>	<b>Contact us</b>

**QS9000**

**ELECTRICAL CHARACTERISTICS**

**ENVIRONMENTAL**

Impedance	<b>50</b>	$\Omega$
Frequency	<b>0-4</b>	GHz
VSWR	<b>1.2*</b> + <b>0,0000</b>	x F(GHz) Maxi
Insertion loss	<b>0.25</b>	$\sqrt{F(GHz)}$ dB Maxi
RF leakage	- (	- F(GHz)) dB Maxi
Voltage rating	<b>335</b>	Veff Maxi
Dielectric withstanding voltage	<b>1000</b>	Veff mini
Insulation resistance	<b>1000</b>	M $\Omega$ mini

Operating temperature	<b>-40/+110</b>	$^{\circ}$ C
Hermetic seal	<b>NA</b>	Atm.cm3/s
Panel leakage	<b>NA</b>	

**OTHERS CHARACTERISTICS**

Assembly instruction

Others :

\* Coaxial Transmission Line Only

\*\*Abrasion of the Tin Lead plating after 10 cycles but electrical continuity is guaranteed by th Nickel underplate

**MECHANICAL CHARACTERISTICS**

Center contact retention		
Axial force – Mating end	<b>10</b>	N mini
Axial force – Opposite end	<b>10</b>	N mini
Torque	<b>NA</b>	N.cm mini
Recommended torque		
Mating	<b>NA</b>	N.cm
Panel nut	<b>NA</b>	N.cm
Mating life	<b>100 **</b>	Cycles mini
Weight	<b>3,0900</b>	g

Issue : 0617 B

In the effort to improve our products, we reserve the right to make changes judged to be necessary.

